



Automation for a Changing World

# Power Meter DPM-C530



[www.deltaww.com](http://www.deltaww.com)



**DELTA**  
Smarter. Greener. Together.

Delta's Power Meter DPM-C530 Series offers precise measurement of various electrical energy values and power quality parameters, including power factor, harmonics, and current/voltage unbalance with functions such as off-limit alarms and history logs. It provides exceptional communication quality and monitoring functions that are especially suitable for sectors where power quality is critical.



## Features

### High Precision Power Measurement

- ▶ Highly precise measurement of bidirectional electrical energy and power parameters, meeting Class 0.5S of IEC62053 and CNS14607 standards and certified to CMC.
- ▶ Supports power quality measurement, including total harmonic distortion, up to 31<sup>st</sup> harmonics, voltage and current unbalance, and more



### Large Screen LCD

White-light widescreen LCD with resolution of 198x160 dots



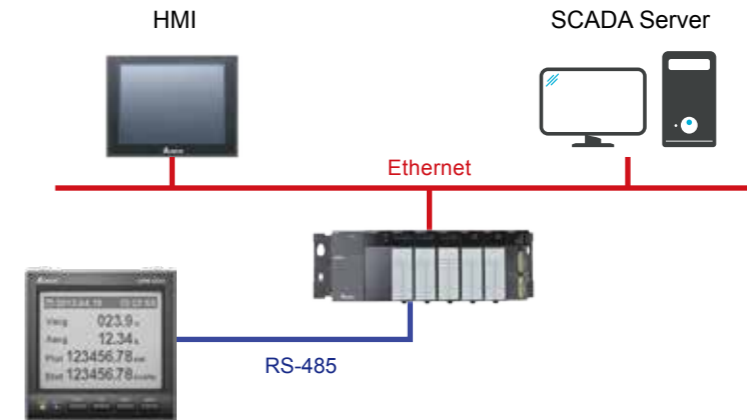
Ptot 123456.78 kW  
Etot 123456.78 kVARh

Visibility better than segment-type LCD



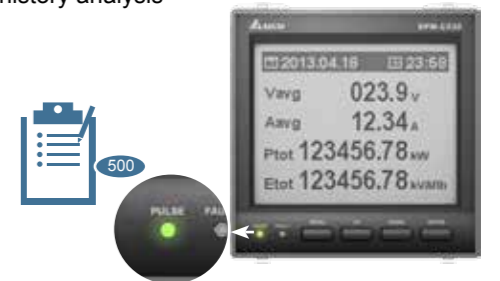
## Easy Operation & Installation

- ▶ Two mounting clips hold the meter in place, no other tools required
- ▶ Language customization: Traditional Chinese, Simplified Chinese & English
- ▶ Built-in RS-485 communication port supports Modbus RTU/ASCII
- ▶ Transmission of all measurement values to the upper-level controllers via communication



## Event Alarms and History Logs

- ▶ Built-in 8M bytes of storage for up to 500 units of event records, the highest capacity in the industry
- ▶ Keeps max. 2 months of power and electrical energy measurement values for history analysis
- ▶ 29 built-in types of event alarms
- ▶ Front LED indicators for real-time alarms. Alarm messages with time stamps can be transmitted to upper-level controllers via communication



## Auto Meter Reading

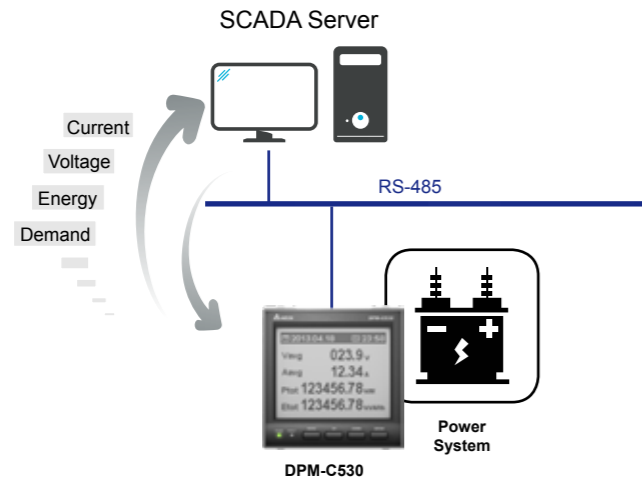
Two built-in individual data registers record real energy and reactive energy in certain given time laps when triggered by communication



# Features

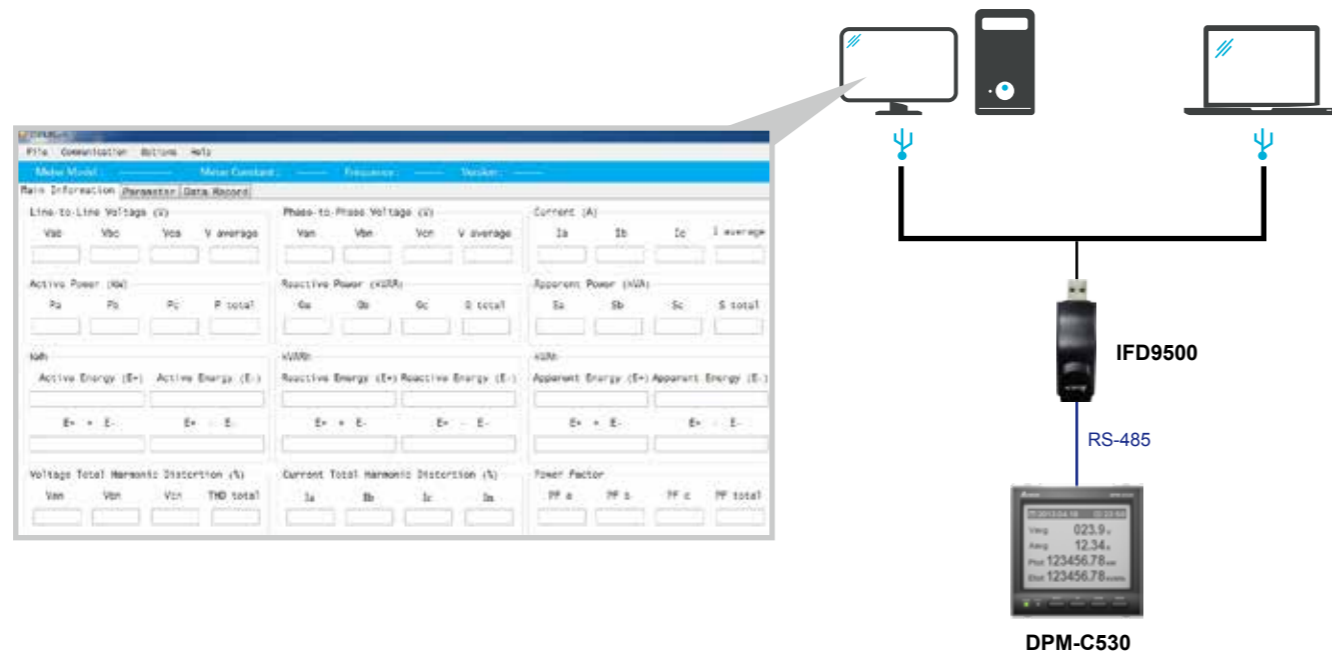
## Parameter Grouping

Grouping the measurands for faster data transmission and reading by the upper-level controllers improves the efficiency and performance of the whole energy management system



## PC-Based Configuration Software

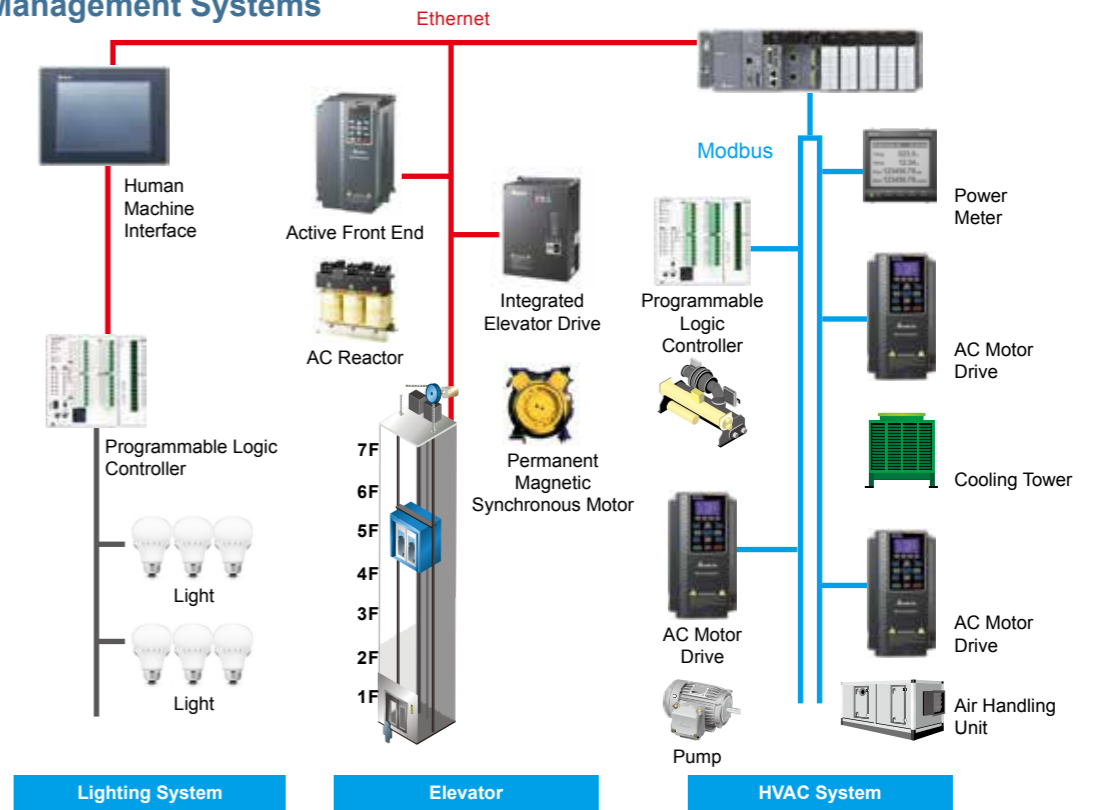
Utilizing DPMSoft software through Modbus communication for power meter setup and data acquisition provides easy power management and analysis



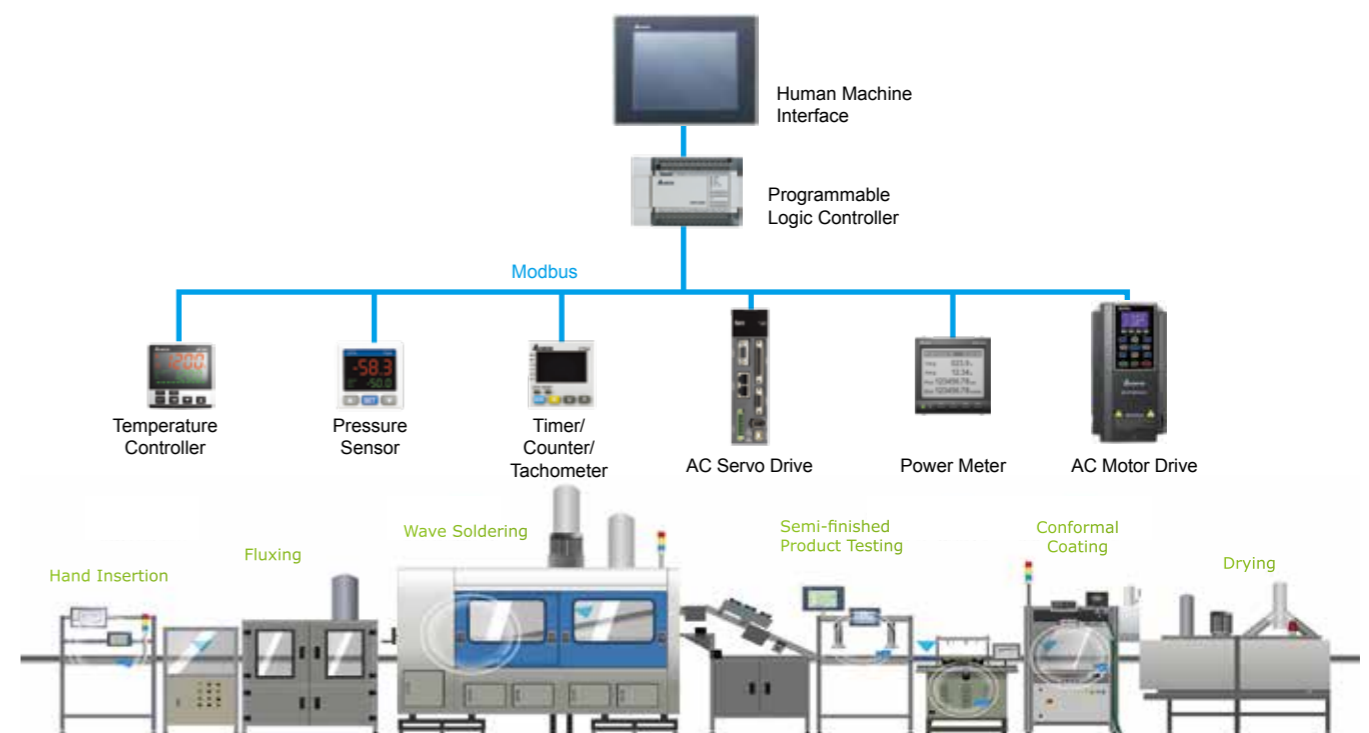
# Applications

Medium/low voltage power distribution panels / Energy Management Systems / Building Energy Management Systems / Factory Energy Management Systems

## Energy Management Systems



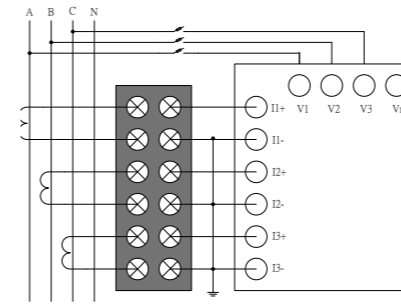
## Factory Energy Management Systems



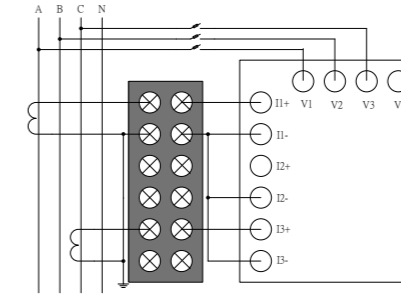
# Specifications

<b>Measurement Accuracy</b>	Power	Voltage, Current	±0.2%
		Active Power, Reactive Power, Apparent Power	±0.5%
	Electrical Energy	Active	±0.5%
		Reactive	±0.5%
	Power Factor	±0.5%	
	Active Power Demand Value	±0.5%	
	Reactive Power Demand Value	±0.5%	
	Apparent Power Demand Value	±0.5%	
	Total Harmonic Distortion THD (Current)	±1%	
	Total Harmonic Distortion THD (Voltage)	±1%	
Harmonics	±1%		
Frequency Accuracy	±0.5%		
<b>Input</b>	Wiring Method		1 Phase 2 Wire (1CT) / 1 Phase 3 Wire (2CT) 3 Phase 3 Wire, Δ connection (3CT, no PT) 3 Phase 3 Wire, Δ connection (2CT, no PT) 3 Phase 3 Wire, Δ connection (3CT, 2PT) 3 Phase 4 Wire, Y connection (3CT, no PT) 3 Phase 4 Wire, Y connection (3CT, 3 PT) 3 Phase 4 Wire, Y connection (2CT, 3 PT)
	Voltage	Operating Range	Line voltage: 35~690V AC (L-L) Phase voltage: 20~400V AC(L-N)
	Current	Operating Range	1A/5A
	Frequency		45~70Hz
<b>Alarm</b>	Alarm Parameter Selections		29 types of Over/Under limit alarm
<b>Power Supply</b>	Operating Range		80~265VAC (Max. power consumption 3.7W) 100~300VDC
<b>Communication Interface</b>	RS-485 Interface		Modbus-RTU, Modbus-ASCII Baud rate: 9600/19200/38400bps
<b>Case</b>	Dimension (W*H*D)		96*96*95.4mm
	IP Degree of Protection		IP52(Front panel), IP20(Power meter)
<b>Environment</b>	Operating Temperature		-20°C ~ +70°C
	Storage Temperature		-30°C ~ +80°C
	Humidity Rating		~95% RH
	Altitude		Below 2000m

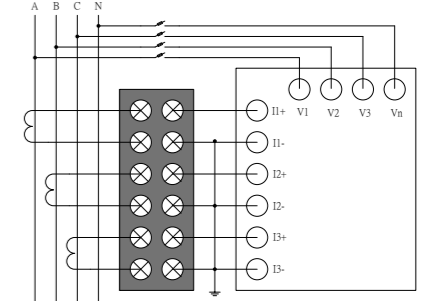
• 3 Phase 3 Wire, Δ connection (3CT, no PT)



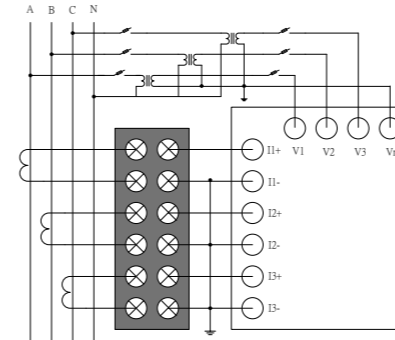
• 3 Phase 3 Wire, Δ connection (2CT, no PT)



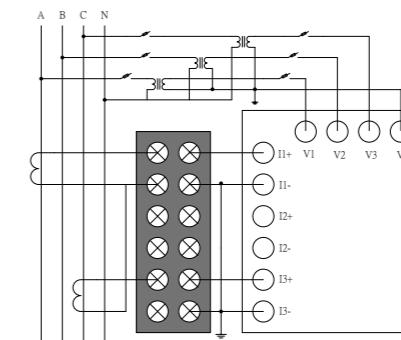
• 3 Phase 4 Wire, Y connection (3CT, no PT)



• 3 Phase 4 Wire, Y connection (3CT, 3 PT)

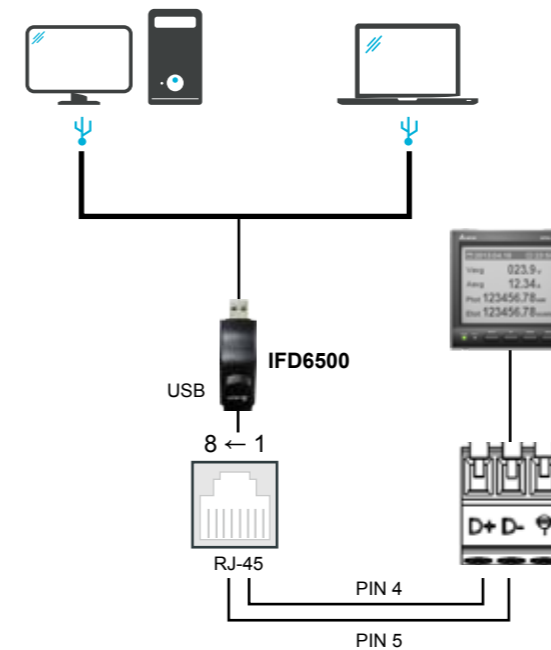


• 3 Phase 4 Wire, Y connection (2CT, 3 PT)

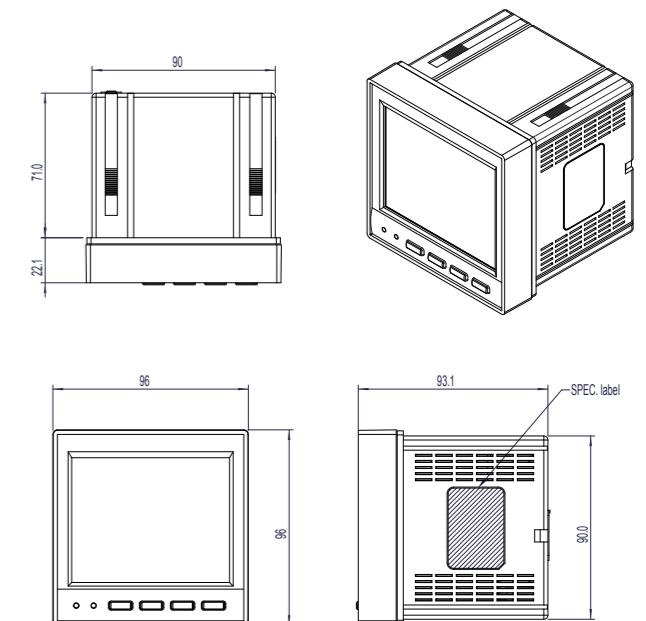


## DPMSoft User Guide

PIN	Definition
1	D+
2	D-

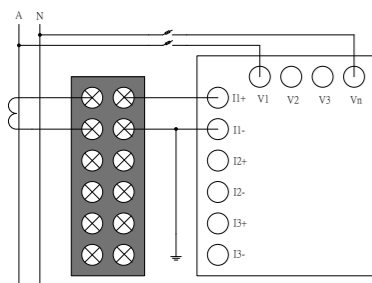


## Dimensions (mm)

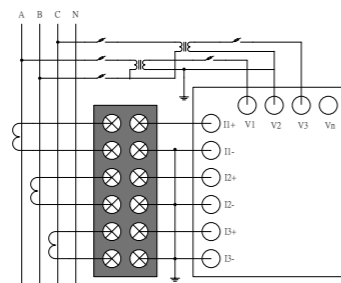


## Wiring Diagram

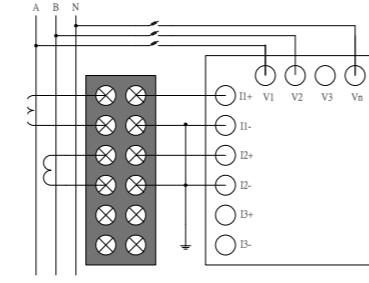
• 1 Phase 2 Wire (1CT)



• 3 Phase 3 Wire, Δ connection (3CT, 2PT)



• 1 Phase 3 Wire (2CT)





Smarter. Greener. Together.

## Industrial Automation Headquarters

### **Delta Electronics, Inc.**

Taoyuan Technology Center  
No.18, Xinglong Rd., Taoyuan City,  
Taoyuan County 33068, Taiwan  
TEL: 886-3-362-6301 / FAX: 886-3-371-6301

## Asia

### **Delta Electronics (Jiangsu) Ltd.**

Wujiang Plant 3  
1688 Jiangxing East Road,  
Wujiang Economic Development Zone  
Wujiang City, Jiang Su Province, P.R.C. 215200  
TEL: 86-512-6340-3008 / FAX: 86-769-6340-7290

### **Delta Greentech (China) Co., Ltd.**

238 Min-Xia Road, Pudong District,  
ShangHai, P.R.C. 201209  
TEL: 86-21-58635678 / FAX: 86-21-58630003

### **Delta Electronics (Japan), Inc.**

Tokyo Office  
2-1-14 Minato-ku Shibadaimon,  
Tokyo 105-0012, Japan  
TEL: 81-3-5733-1111 / FAX: 81-3-5733-1211

### **Delta Electronics (Korea), Inc.**

1511, Byucksan Digital Valley 6-cha, Gasan-dong,  
Geumcheon-gu, Seoul, Korea, 153-704  
TEL: 82-2-515-5303 / FAX: 82-2-515-5302

### **Delta Electronics Int'l (S) Pte Ltd.**

4 Kaki Bukit Ave 1, #05-05, Singapore 417939  
TEL: 65-6747-5155 / FAX: 65-6744-9228

### **Delta Electronics (India) Pvt. Ltd.**

Plot No 43 Sector 35, HSIIIDC  
Gurgaon, PIN 122001, Haryana, India  
TEL : 91-124-4874900 / FAX : 91-124-4874945

## Americas

### **Delta Products Corporation (USA)**

Raleigh Office  
P.O. Box 12173, 5101 Davis Drive,  
Research Triangle Park, NC 27709, U.S.A.  
TEL: 1-919-767-3800 / FAX: 1-919-767-8080

### **Delta Greentech (Brasil) S.A.**

Sao Paulo Office  
Rua Itapeva, 26 - 3° andar Edificio Itapeva One-Bela Vista  
01332-000-São Paulo-SP-Brazil  
TEL: 55 11 3568-3855 / FAX: 55 11 3568-3865

## Europe

### **Deltronics (The Netherlands) B.V.**

Eindhoven Office  
De Witbogt 15, 5652 AG Eindhoven, The Netherlands  
TEL: 31-40-2592850 / FAX: 31-40-2592851

\*We reserve the right to change the information in this catalogue without prior notice.